

Installation Manual

1 Cautions for Safety

※ The following symbols are used to indicate important safety instructions for the use of the product

	Danger	Indicates an imminently hazardous situation which, if not avoided, will result in death or serious injury.
	Warning	Indicates dangerous situations where the user could suffer death or serious injury if this product is used incorrectly.
	Do not Dismantle	Indicates not to dismantle this product.
	Observe Strictly	Indicates to observe the following precaution before using this product.

Attention

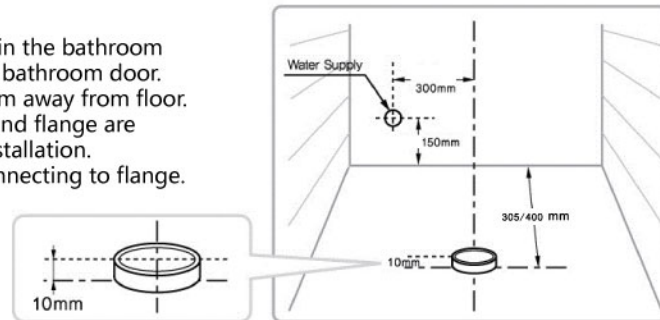
Prohibited Do not step on the seat cover, seat, main body or place heavy objects on it.

Observe Strictly Use only specified materials for installation.

2 Caution before Installation

1 Space

- Secure enough installation space in the bathroom and check whether it disturbs the bathroom door. Secure water outlet at least 150mm away from floor.
- Check whether the water source and flange are in the required position before installation. Make sure the PVC drain pipe, connecting to flange, 20mm high and flat.

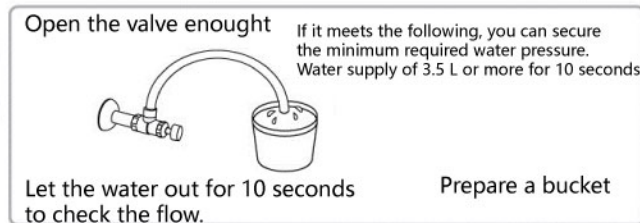


2 Water Pressure

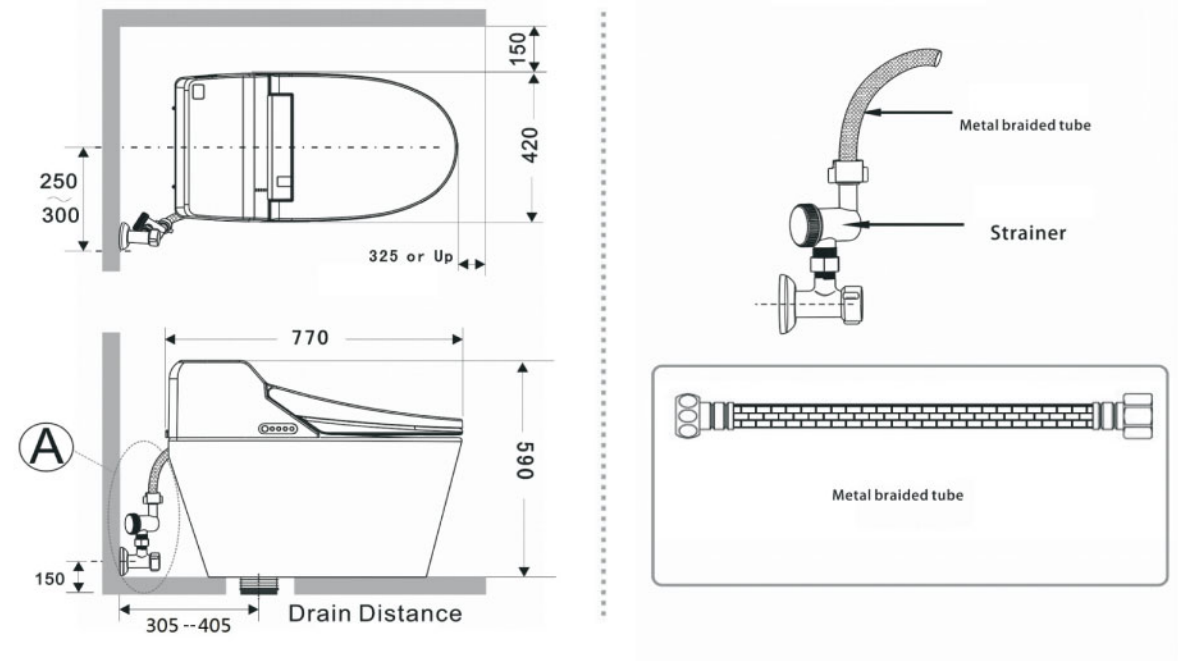
- The product requires min 1.5 kgf/cm² (0.15MPa) of water pressure.
- It requires the minimum pressure even while other water using devices are used. The maximum pressure is 7.5 kgf/cm² (0.75MPa)

How to check minimum water pressure

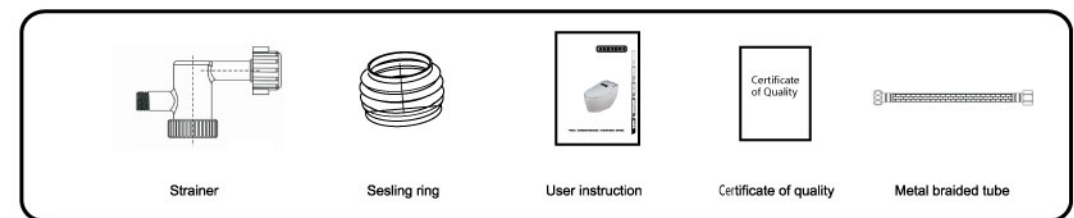
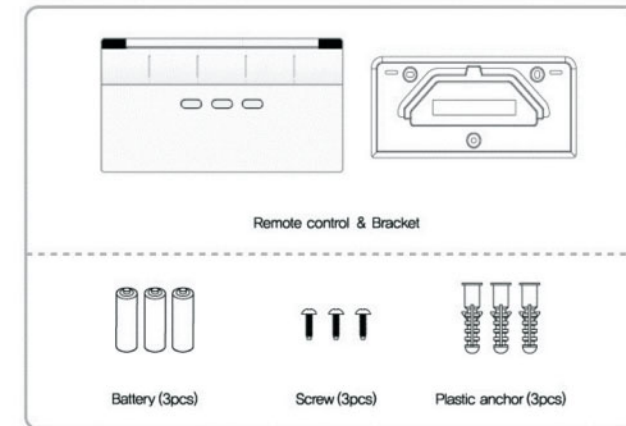
If you do not have the pressure meter, check the pressure as on the right.



Drawing for Installatin (Unit: mm)



Accessories

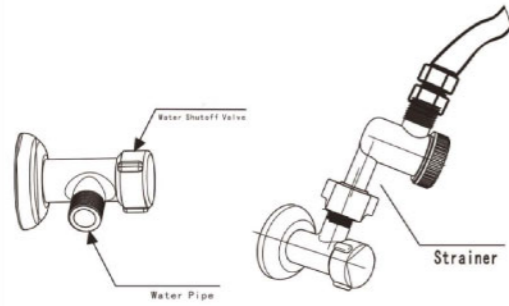


4 Installation

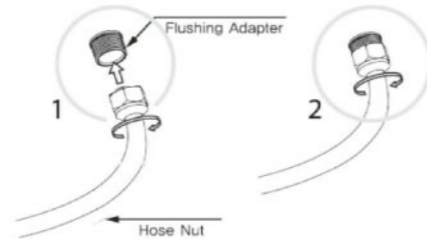
1 Install Shutoff Valve

1. Close the water gauge.
2. Remove dust and sand in the water inlet. When installing the shutoff valve.
3. Wind teflon tape around the water pipe.
4. Connect the pipe with the shutoff valve.
5. Connect the strainer.

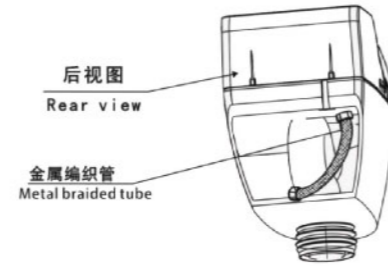
Please connect the water shut valve with care. (It may result in water leakage.)



2 Connect Hose

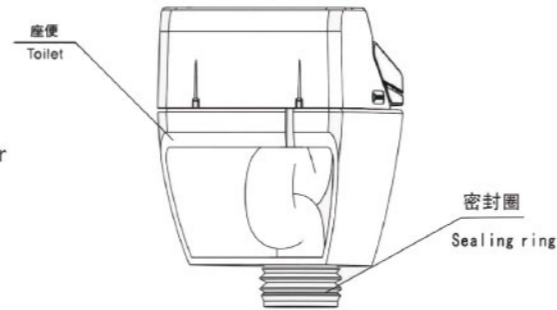


1. Fix the hose to the flushing adapter first.
2. Turn the nut clockwise to connect the hose.



3 Connect Trap

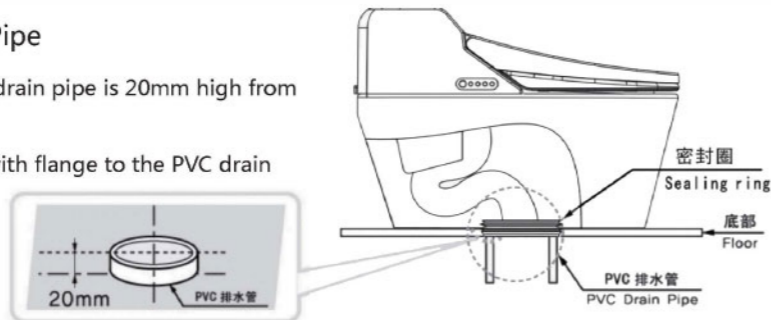
Fix the trap of the toilet.
Installation length from wall to trap center
200~400mm available



4 Connect Drain Pipe

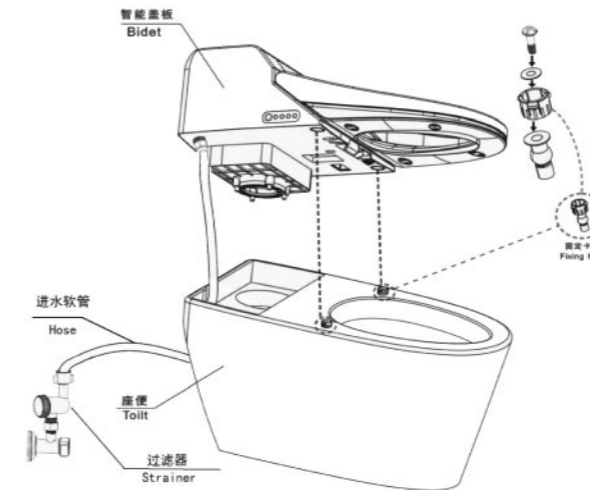
Make sure the PVC drain pipe is 20mm high from the floor and lat

Connect the toilet with flange to the PVC drain pipe on the floor.



5 Connect Bidet to Toilet

1. Assemble the toilet with bidet, jet spray outlet and bowl outlet.
2. Insert the hose into the filter.
3. Insert bidet's fixing hook onto the toilet's fixing hook until it "clicks"



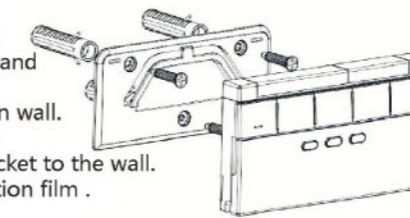
6 Apply silica gel



Water may get into the gap between the lower end of toilet and floor, and leave stain. Apply silica gel to prevent water penetration.

8 Install Bracket for Remote Control

1. As diagram shows, use a drill to bore hole in the wall, put the expand nails in wall.
2. Fasten the bracket on wall.
3. Also can use double side tape, glue the bracket to the wall, first to removal protection film.



7 Open the shutoff Valve

Turn it counter clockwise.

9 Connect Power

1. Insert the power plug into the toilet.
2. Press the Full flush button on the top of remote control.

Water will fill the ceramic bowl.

